

EUROMIR® Mirrored Acrylic – Product Detail Sheet

Date: 6/11/2020

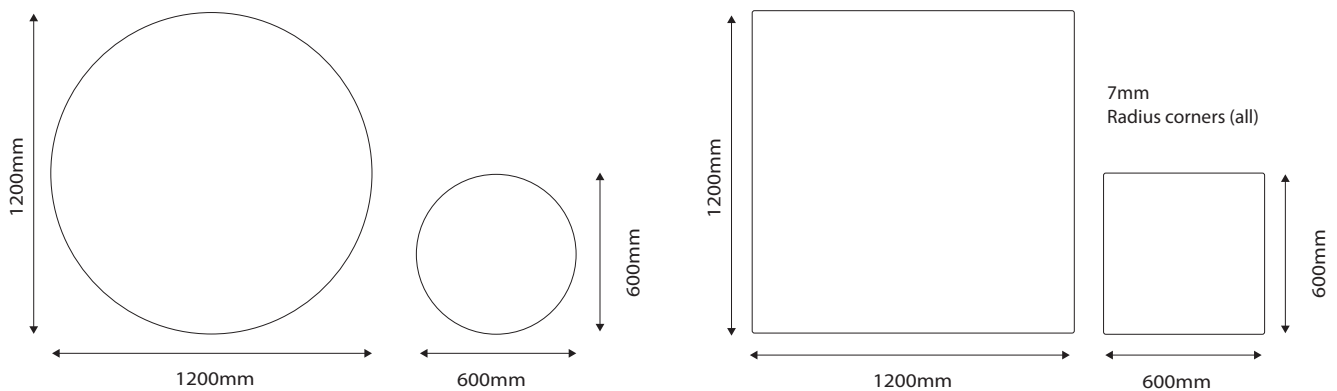
NAME: EUROMIR® FABBACK®
DESIGNER: Cuts By Design
ORIGIN: Made in USA by Plaskolite. Distributed in Australia by Mitchell Group
COLOURS: EUROMIR® Amber 662
EUROMIR® Blue 269
EUROMIR® Bronze 604
EUROMIR® Gold 400
EUROMIR® Grey 150
EUROMIR® Orange 219
EUROMIR® Purple 120
EUROMIR® Red 500
EUROMIR® Rose Gold 450
EUROMIR® Rose Pink 550
EUROMIR® Silver 11
EUROMIR® Sky Blue 100
EUROMIR® Teal 320

FINISH: Mirror Gloss (single side only)

COMPOSITION: EUROMIR® continuously processed mirrored acrylic sheet

PANEL DIMENSIONS: 600 x 600 / 1200 x 1200 mm (+/- 2mm)

SHAPES: Circle & square & rectangle (+/- 2mm)



WEIGHT: 3,500g/m² +/-10%

THICKNESS: 3mm ±10% (plus 0.4mm)

Cutsbydesign © 2020.

For more information visit www.cutsbydesign.com.au or email cutsbydesign@mitchelllaminates.com.au

PERFORMANCE EUROMIR® 3MM

COLOURS: Indoor use only, not recommended for exterior use. If used outside, seal perimeter with silicone sealant to keep moisture out and protect mirror paint backing. Salt spray can also begin to degrade mirror.

THERMAL: Combustible material, precautions should be used to protect material from flames and high heat sources

Softening Temperature 98-105°C

Melting Temperature 148-157°C

ROCKWELL HARDNESS: ASTM D-785 / ISO 2039-2 **M-95

EUROMIR® CARE:

Cleaning: Use a mild soap and damp soft cloth to wipe the surface of the sheet with light pressure, avoiding the edges of the sheet. To remove grease or oil on the material, use hexane or kerosene to remove them. Do not use any chemicals, window cleaning sprays, kitchen scouring compounds, and or other chemicals to clean mirror sheet.

Known chemicals that attack mirrored acrylic: Benzene, Thinners, Esters, Alcohol, Methyl, Ethers, Ketones

Adhesive: Mirrored acrylic is a reflective film applied to an acrylic substrate. When substrate is affixed to another surface, both of these materials will in time conform to the irregularities of the supporting surface. A non-smooth, non-planar surface will cause localised bending of the mirrored sheet and distortion in the reflection image. For best results, mount mirror to a smooth, rigid flat backing. Use only recommended and or tested adhesives. Don't use adhesive with solvents listed above, adhesives with solvents of 5% or more are also not recommended.

Recommended Adhesive: Sabre Bond Structural SMP40

FLEXURAL PROPERTIES: ASTM D-638 / ISO 527 mils/in 2-6

COLOURS EUROMIR® 3MM



Amber 662



Orange 219



Red 500



Rose Pink 550



Yellow 408



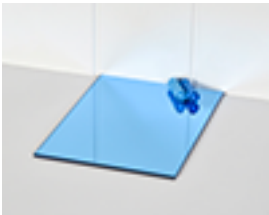
Rose Gold 450



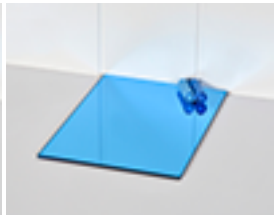
Gold 400



Silver 11



Sky Blue 100



Blue 269



Teal 320



Purple 120



Grey 150



Bronze 604



Silver 11